

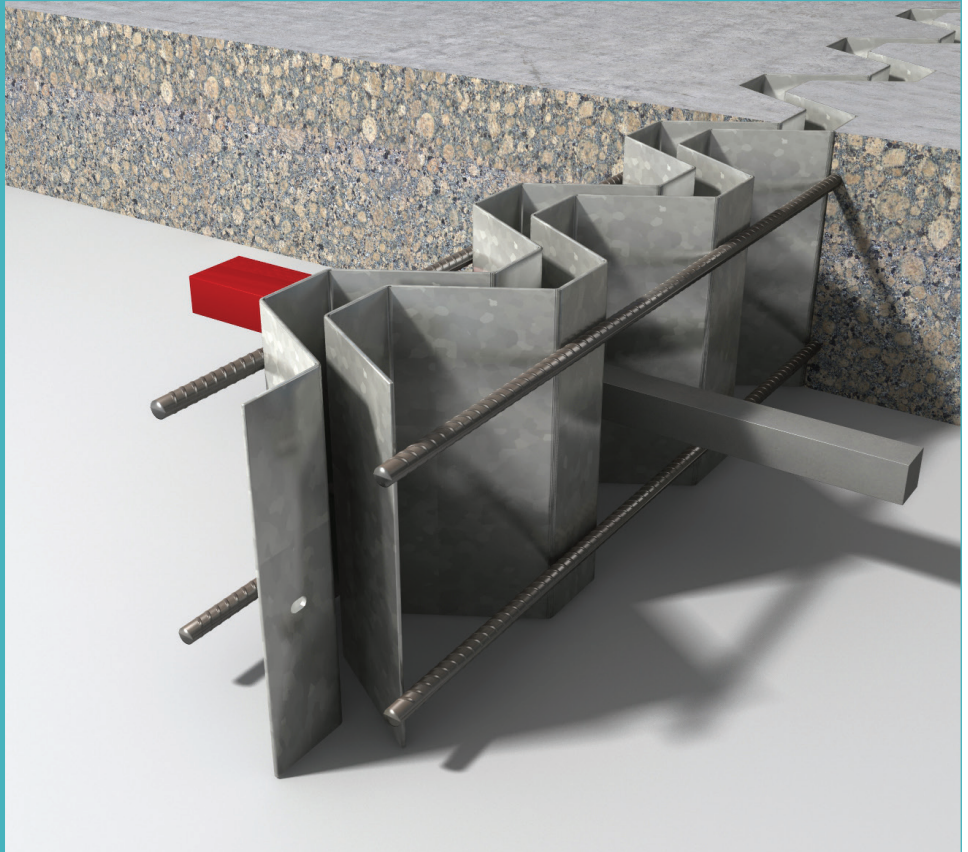
permaban signature[®]

Specification Sheet

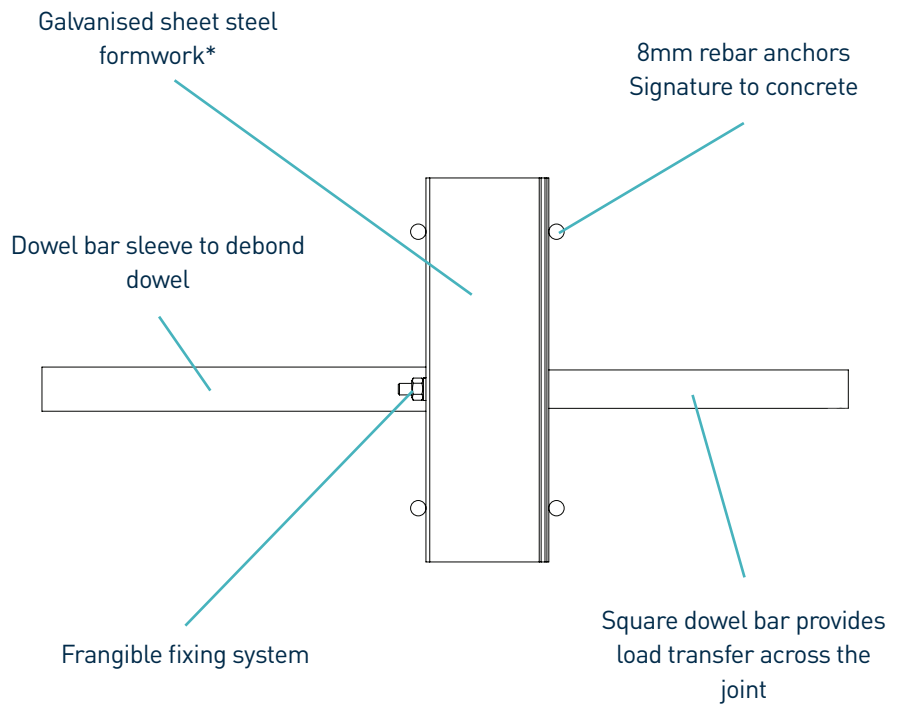
Issue 1.3

18/09/2014

permaban signature[®]



permaban signature[®]



*Galvanised as standard

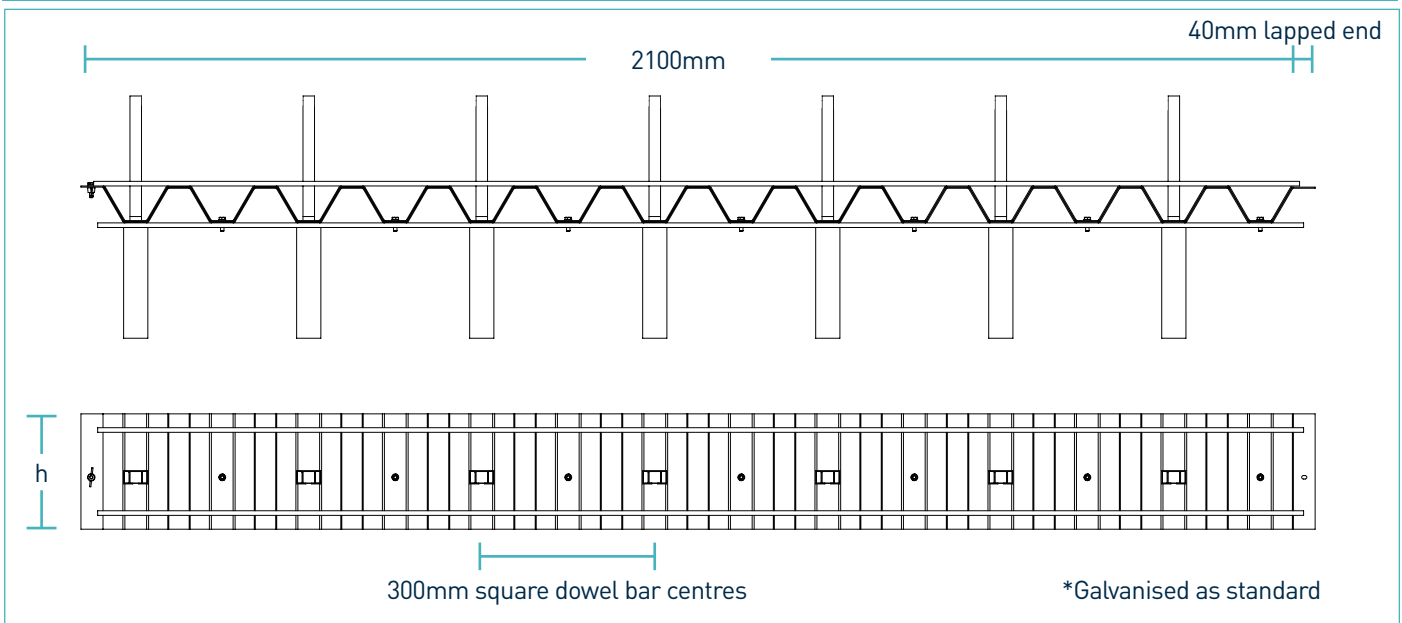
permaban signature[®]

Specification Sheet Issue 1.3
18/09/2014

manufacturing tolerances

Length	±2.0mm	Height	±1mm	Straightness	±0.5mm/600mm
---------------	--------	---------------	------	---------------------	--------------

dimensions of permaban signature[®]



dimensions and weight of permaban signature[®]

Nominal Slab Depth (mm)	Joint Height, h (mm)	Dowel Size (mm)	Dowel Centres (mm)	Length (mm)	Single Joint Weight (kg)	Number Per Bundle	Bundle Weight (kg)
150	125	20 x 20 x 420	300	2100	23.4	54	1382
180	150				24.8	45	1290
200	175				26.7	45	1380
220	200				28.4	36	1212

Typical height and length values shown only. Weight values and bundle information shown are approximate.

materials

Component	Material
Sheet material	BS EN 10346:2009 DX 51D+Z
Reinforcement steel bar	BS 4449:2005 B500A
Square dowel bar	BS EN 10025-2:2004 S275JR
Square dowel bar sleeve	PP

permaban signature[®]

Specification Sheet Issue 1.3
18/09/2014

theoretical calculated ultimate loads at failure of dowel or concrete

Slab Depth (mm)	Unreinforced Slab			Steel Fibre Reinforced Slab (Re3 = 0.8)		
	Bursting (kN/m)	Bending (kN/m)	Combined Bending and Shear (kN/m)	Bursting (kN/m)	Bending (kN/m)	Combined Bending and Shear (kN/m)
150	42.00	145.00	105.30	72.50	145.00	105.30
200	56.00	145.00	105.30	96.60	145.00	105.30
250	70.00	145.00	105.30	118.00	145.00	105.30
300	80.40	145.00	105.30	135.70	145.00	105.30

Ultimate load (kN/m)

This table shows the load at failure in bursting (failure of the concrete), bending and combined shear and bending (failure of the dowel) for typical slabs with 40N/mm² cube strength concrete and a joint opening of 20mm. Larger joint openings can be accommodated. The ultimate load has been calculated in accordance with TR34 3rd Edition. For more detailed analysis please contact Permaban.

compatible dowel systems

Square Dowel Bar



dimensions in mm

notes

Specification Sheet

Issue 1.3

18/09/2014